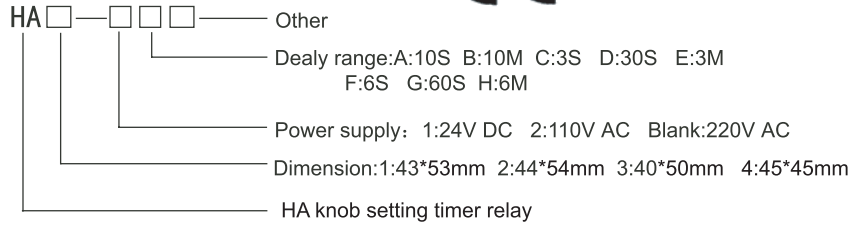


# HA KNOB SETTING TIMER RELAY

## CODE ILLUSTRATION



## FEATURES:

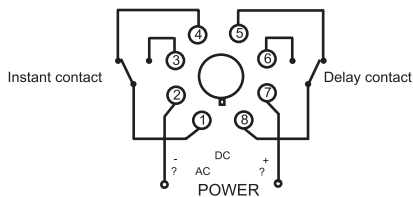
- ⊙ Standard 8-Pin interface
- ⊙ Available with NC & NO instant contact, delay contact
- ⊙ Easy setting & operation

	HA1	HA2	HA3	HA4
Cut-out	43*53mm	44*54mm	40*50mm	45*45mm
Dimension	48*58mm	58*88mm	40*50mm	48*48mm

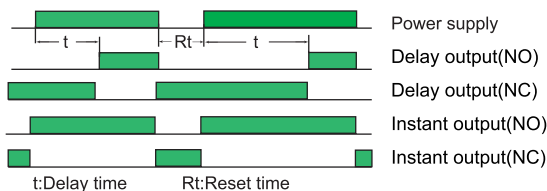
## TECHNICAL SPECIFICATION

Power supply	24V DC, 110V AC, 220V AC selectable	Contact load	AC 250V 2A (resistance load)
Energy consumption	≤3W	Ambient temp	0~50? (no freeze)
Repeat error	≤1%	Ambient humidity	45%~75% RH
Setting accuracy	better than ±15%F.S	Insulation impedance	≥20MΩ
Reset time	≥0.2S	Dielectrical strenth	AC 1500V/1min
Life	Mechanical life: one million times      electrical life: 100,000 times		

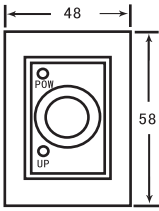
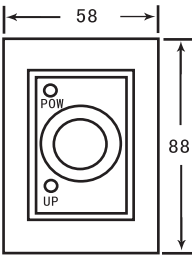
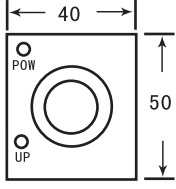
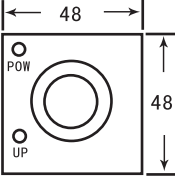
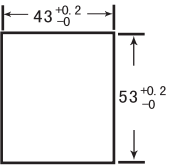
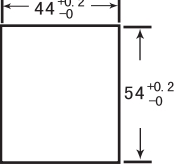
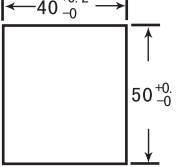
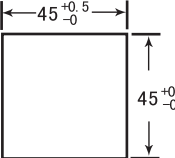
## CONNECTION & TIME CHARTING



Output	Pin No.
Power supply	2-7
Delay output(NO)	8-6
Delay output(NC)	8-5
Instant output(NO)	1-3
Instant output(NC)	1-4



## DIMENSION

CODE	HA1	HA2	HA3	HA4
PANEL				
MOUNT-ING				

## NOTICE

- ① Please use the device within 85%-110% power voltage.
- ② Device should not be used with inverted polarity :terminal 7"+"、terminal 2 "-".
- ③ Knob should not be placed exceed scale range, scale "0" not indicate, "0 second" but indicate optional setting "Min. delay time".
- ④ If circumscribe the Knob in the delay process, it will cause mistake of delay time.
- ⑤ When repeat delay needed, the alternation time should be more than 200ms.
- ⑥ Don't remove/take park the shell to avoid getting an electric shock or damage/misact.