

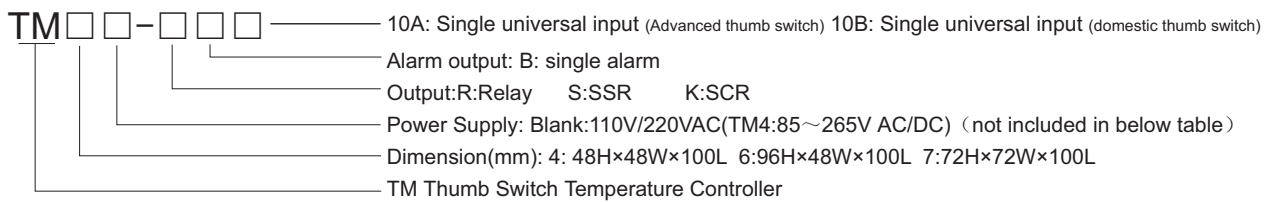
TM THUMB SWITCH TEMPERATURE CONTROLLER (PATENT PRODUCT)



FEATURE

- ⊙ 3 digits LED display
- ⊙ Thumb switch setting, minus temperature control available
- ⊙ TC/RTD universal input optional
- ⊙ PID auto-tuning, get the PID value automatically
- ⊙ Various control output modified by modules
- ⊙ Single alarm
- ⊙ Simple operating, used for temperature measure, control and alarm

CODE ILLUSTRATION



ORDERING CODE

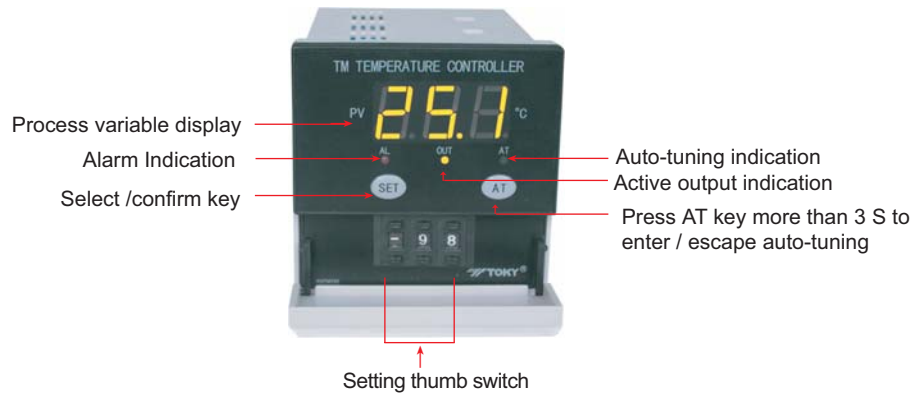
Code	Alarm	Thumb Switch	Control Output	Power Supply	Input Type
TM□-RB10A	Single Alarm	Top-quality	Relay Output	Blank: 110V/220V*	K, J, E, T Pt100, Cu100
TM□-SB10A	Single Alarm	Top-quality	SSR Output	Blank: 110V/220V*	
TM□-KB10A	Single Alarm	Top-quality	SCR Output Relay Output	Blank: 110V/220V*	
TM□-RB10B	Single Alarm	Domestic	Relay Output	Blank: 110V/220V*	
TM□-SB10B	Single Alarm	Domestic	SSR Output	Blank: 110V/220V*	
TM□-KB10B	Single Alarm	Domestic	SCR Output	Blank: 110V/220V*	

* □: denote the dimension 4, 6, 7 optional, eg: 7: 72H×72W×100L * TM4 power supply: 85~265V AC/DC

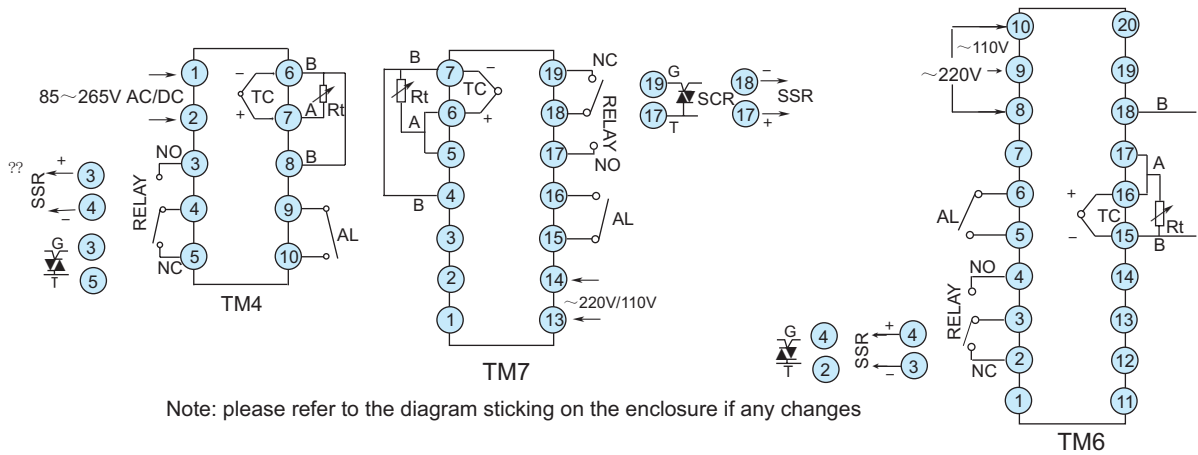
TECHNICAL SPECIFICATION

Power Supply	110V/220V±10%AC/DC (TM4: 85-265Vac)
Power Consumption	5W
Ambient Temperature	0℃-50℃
Ambient Humidity	<80%RH
Measuring Accuracy	±0.5%FS
Temperature Drift	±3digit
Input type	K, E, T, J, PT100, CU100 universal RTD/TC. Special order for CU50 input.
Resolution	1℃@TC, 0.1℃@RTD
Sampling Time	0.5 S
Control Output	Relay / SCR / SSR
Relay Capacity	250V AC 3A, or 30 VDC 3A
SCR Control Output	Activating single/double SCR directly
4-20mA Current Output	None
SSR Control Output	12VDC or 24VDC, I _{max} =30mA
Control Mode	ON-OFF/Normal PID/Auto-tuning PID control
Alarm Type	Single upper limit alarm
Control Cycle	0-250S select by customers
Data Writing Life	1,000,000 times
Dimensions	48H×48W×100L 96H×48W×100L 72H×72W×100L

PANEL ILLUSTRATION



CONNECTION DIAGRAM



DIMENSIONS AND CUT-OUT

