

# SV8 SERIES INDICATOR



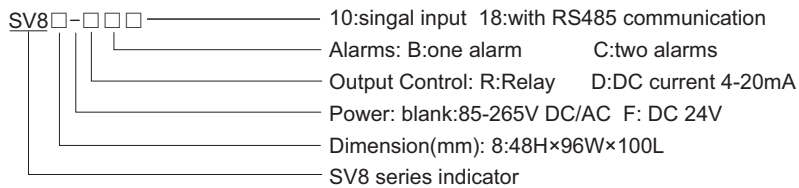
48H×96W×100L

## FEATURES

- Input signal type: mA、mV、V、Rt,  
Full scale/Zero be adjustable
- Two relays output for two alarms,  
Relay Capacity: AC 250V/3A or DC 30V/3A
- With transformed 4-20mA control output
- With 24V/12VDC 30mA , or ±12V/60mA  
auxiliary power supply
- RS485 communication
- Accuracy ±0.3%FS.

Application: suitable for two wires transmitter、pressure sensors、four wires weight sensors  
or some other sensors testing equipment.

## PANEL ILLUSTRATION



## ORDERING CODE

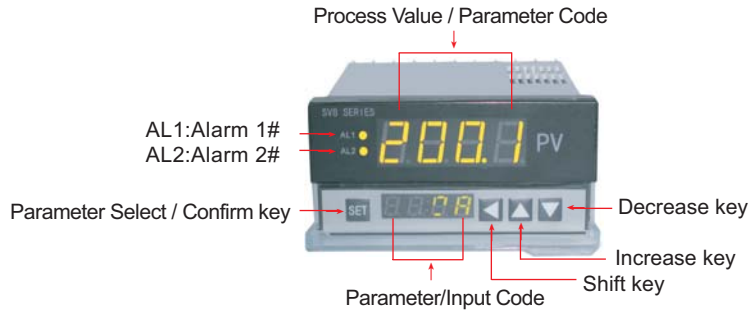
Code	Alarm	Transform	Communication	Input Signal
SV8-RB10	One Alarm	-	-	Factory Setting (User adjust) 0~50mV、0~400Ω 0~10V、4~20mA
SV8-RC10	Two Alarm	-	-	
SV8-DB10	One Alarm	4-20mA	-	
SV8-DC10	Two Alarm	4-20mA	-	
SV8-DB18	One Alarm	4-20mA	RS485	
SV8-DC18	Two Alarm	4-20mA	RS485	

\*AC/DC 24V Be Optional

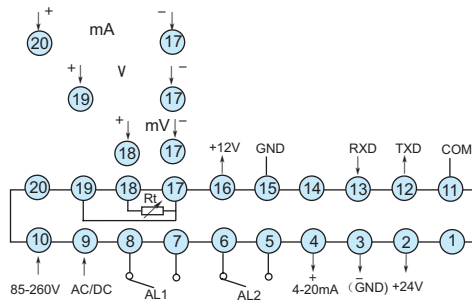
## TECHNICAL SPECIFICATION

Input Signal	0~50mV、0~400Ω、0~10V、4~20mA factory setting 4-20mA
Auxiliary Power Supply	DC 24V/12V 30mA or DC±12V/60mA for sensors
Alarm	two alarms
Transform	4-20mA DC
Accuracy	±0.3%F.S±2Digit
Communication	RS485 interface
Dimension	48H×96W×100L(mm)

## PANEL ILLUSTRATION



## CONNECTION DIAGRAMS



NOTE: Please refer to the diagram sticking on the enclosure if any change.

## DIMENSION

