

CX SERIES TIMER/COUNTER/LENGTH METER



24H×48W×58L



36H×72W×58L



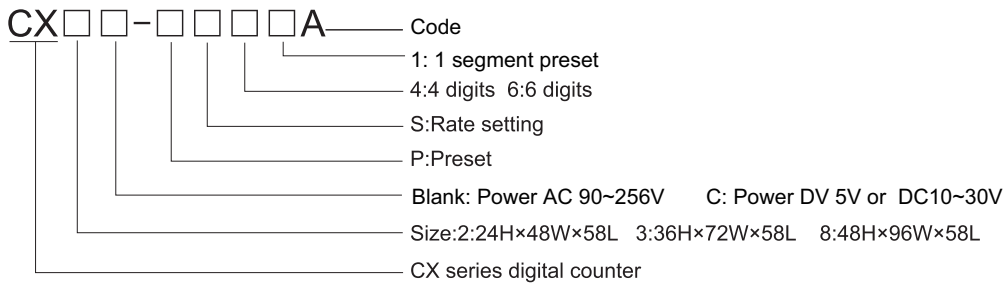
48H×96W×58L

FEATURES



- ⊙ Easy operation
- ⊙ 4 digits(CX2), 6 digits(CX3, CX8) LED
- ⊙ Anti-counter, Square wave or Sine wave input; 1 segment preset, R, N, C, F output, transistor with open collector(CX2, CX3, CX8), Relay output (CX3, CX8)
- ⊙ Counting rate setting range 0.01~99.99, 3 digits decimal point reserved
- ⊙ Power fail memory, data reserve 10 years
- ⊙ Key-press and out connection key reset function, time pause function
- ⊙ Four timing range optional: S; M,S; H,M,S; H,M
- ⊙ Timer with double delay function, Counter with increase / decrease function
- ⊙ High anti-interference

■ PANEL ILLUSTRATION



■ ORDER CODE

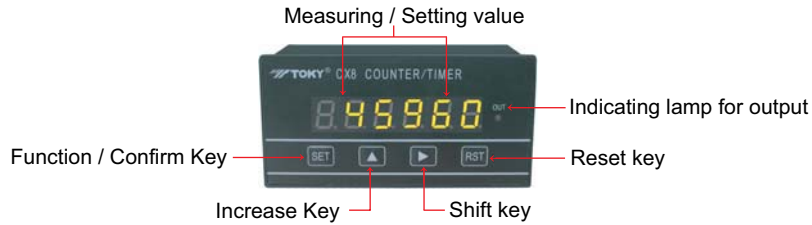
Code	Power	LED	Output	Auxiliary	Range(T)	Range(C)	Output
CX2C-PS41A	DC 5V or DC 10~30V	4	transistor	NO	0.01S~9999H	-1999~9999	F, N R, C
CX3C-PS61A	DC 5V or DC 10~30V	6	transistor	NO	0.01S~9999H.59M	-1999~9999	
CX3-PS61A	AC 90~256V	6	relay	NO	0.01S~9999H.59M	-199999~999999	
CX8C-PS61A	DC 5V or DC 10~30V	6	transistor	NO	0.01S~9999H.59M	-199999~999999	
CX8-PS61A	AC 90~256V	6	relay	12V	0.01S~9999H.59M	-199999~999999	
NOTE	DC 5V or AC/DC 10~30V be optional						

■ TECHNICAL SPECIFICATION

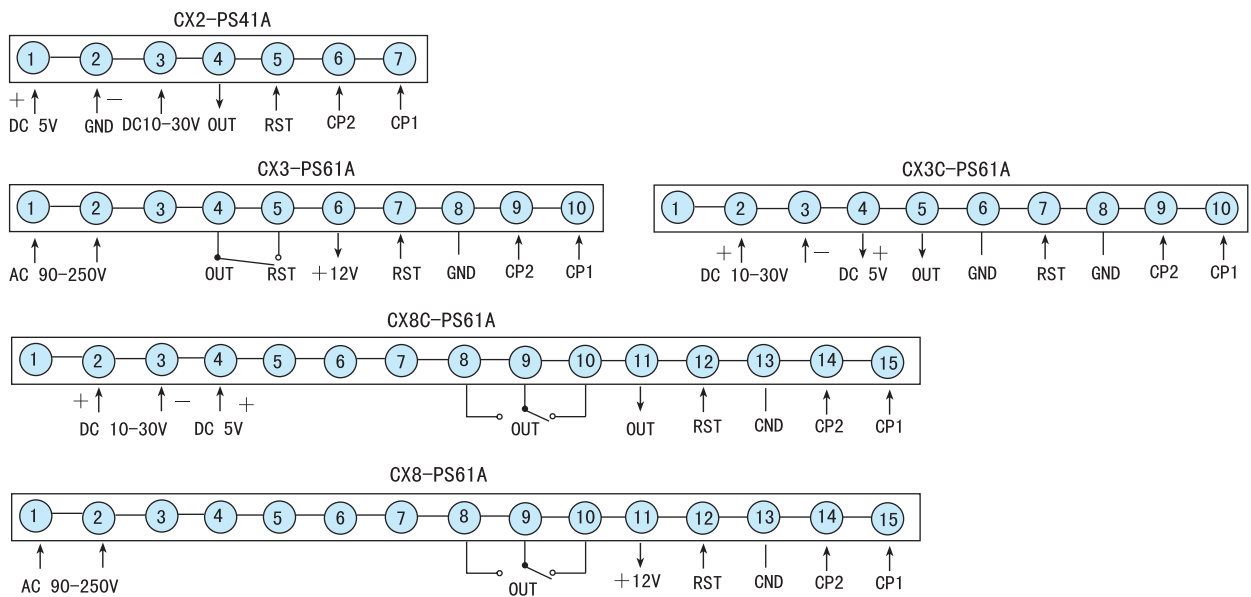
Power	85~256VAC, 5VDC, 10~30VDC
Consumption	<5W
Input signal	altitude: 5~30V
Trigger	rising /falling edge be optional
Input frequency MAX	10cps/100cps/1000cps/3000cps
Data reserve	10 years
Ambient temperature	0℃~50℃
Anti-interference	Power supply: 2000VP-P I/O ports: 100VP-P
Range	-1999~9999(4 digit) -199999~999999(6 digit)
Delay time	0.01~99.99S
Input impedance	≥10KΩ
Capacity of Relay	AC 250V 3A (resistance load)
Capacity of Transistor	24VDC/30mA (OC)

Insulation impedance	$\geq 10K \Omega$
Dielectric strength	AC 1.5KV 1min
Accuracy	0.1%FS
Range	0.01S~99H59M(4 digits) 0.01S~9999H59M(6 digits)
Dimension	24H×48W×58L 36H×72W×58L 48H×96W×58L

PANEL ILLUSTRATION



CONNECTION DIAGRAMS



Note: please refer to the diagram sticking on the enclosure if any changes.

DIMENSION

